

Net2 Entry - Planning and installation

Overview

The Net2 Entry system is designed to be as easy to install as possible by using a single network cable to link the Net2 Entry units.

The system consists of one or more entry panels, each associated with its own control unit and as many internal video monitors as are required for the occupants.

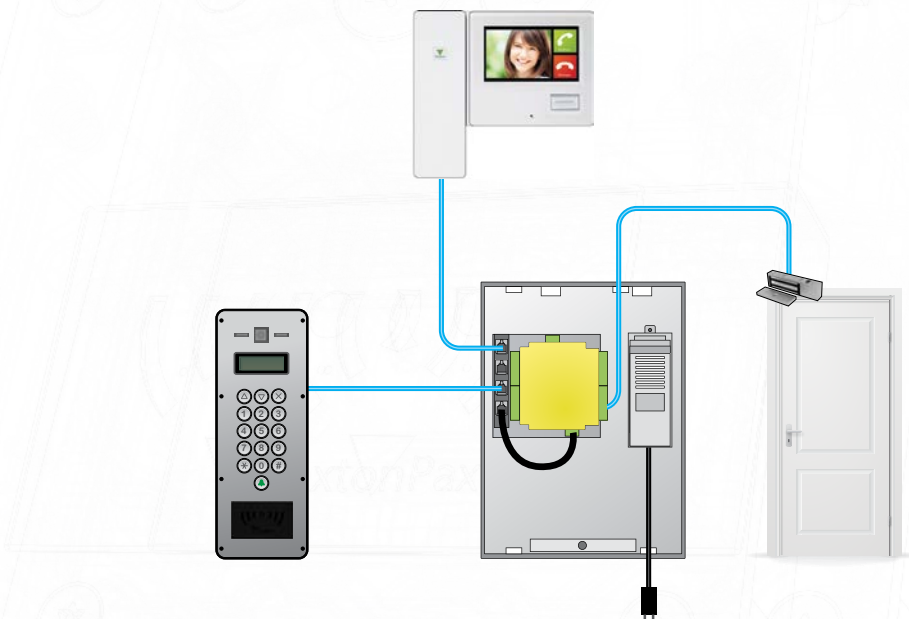
A simple network can then be wired using Paxton or 3rd party PoE network switches to distribute power and data for the required layout.



How many monitors and panels can I run ?

The Net2 Entry system can operate with up to 100 panels and 1000 monitors.

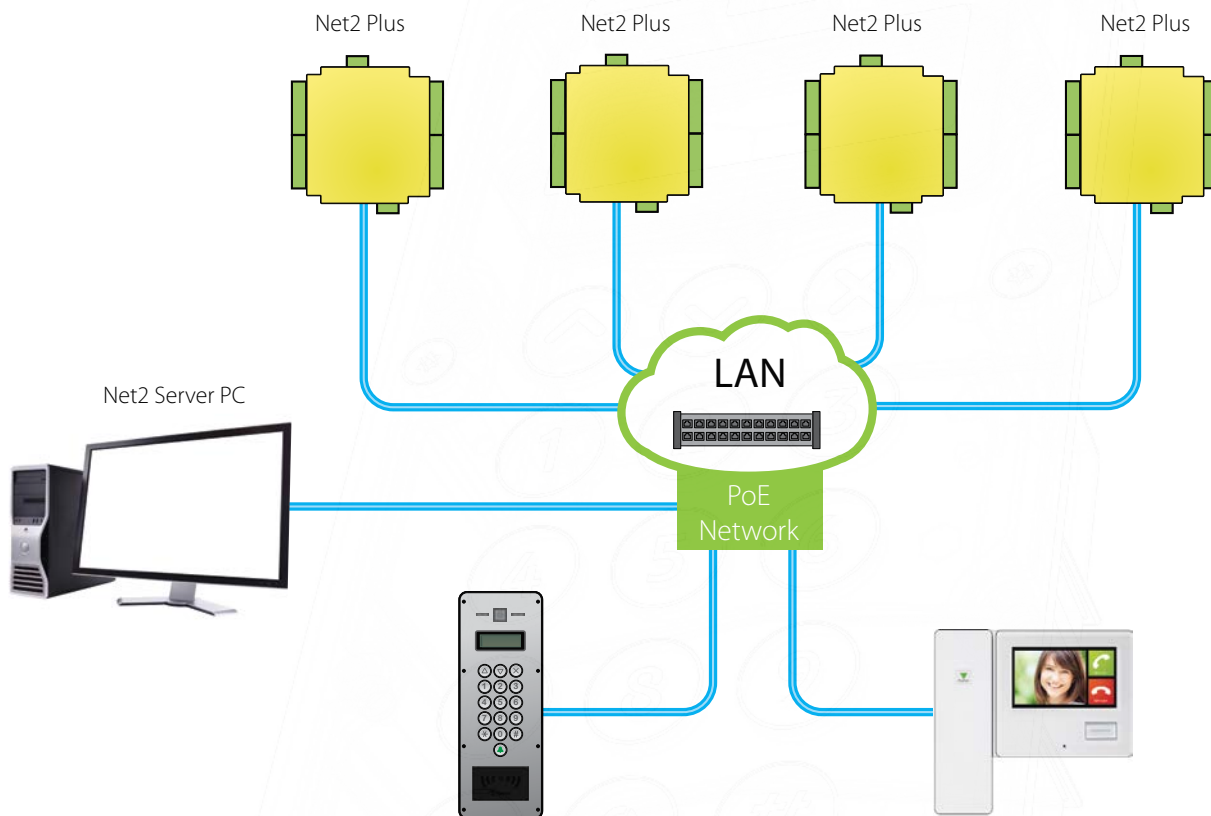
One door / One monitor



Net2 Entry can be installed as a standalone system using one control unit, one entry panel and one monitor.

The Net2 Entry control unit provides PoE (Power over Ethernet) for the two units.

Net2 integration



The Net2 Entry system can be fully integrated into a Net2 Access control system by simply adding panels and monitors to the existing Net2 network.

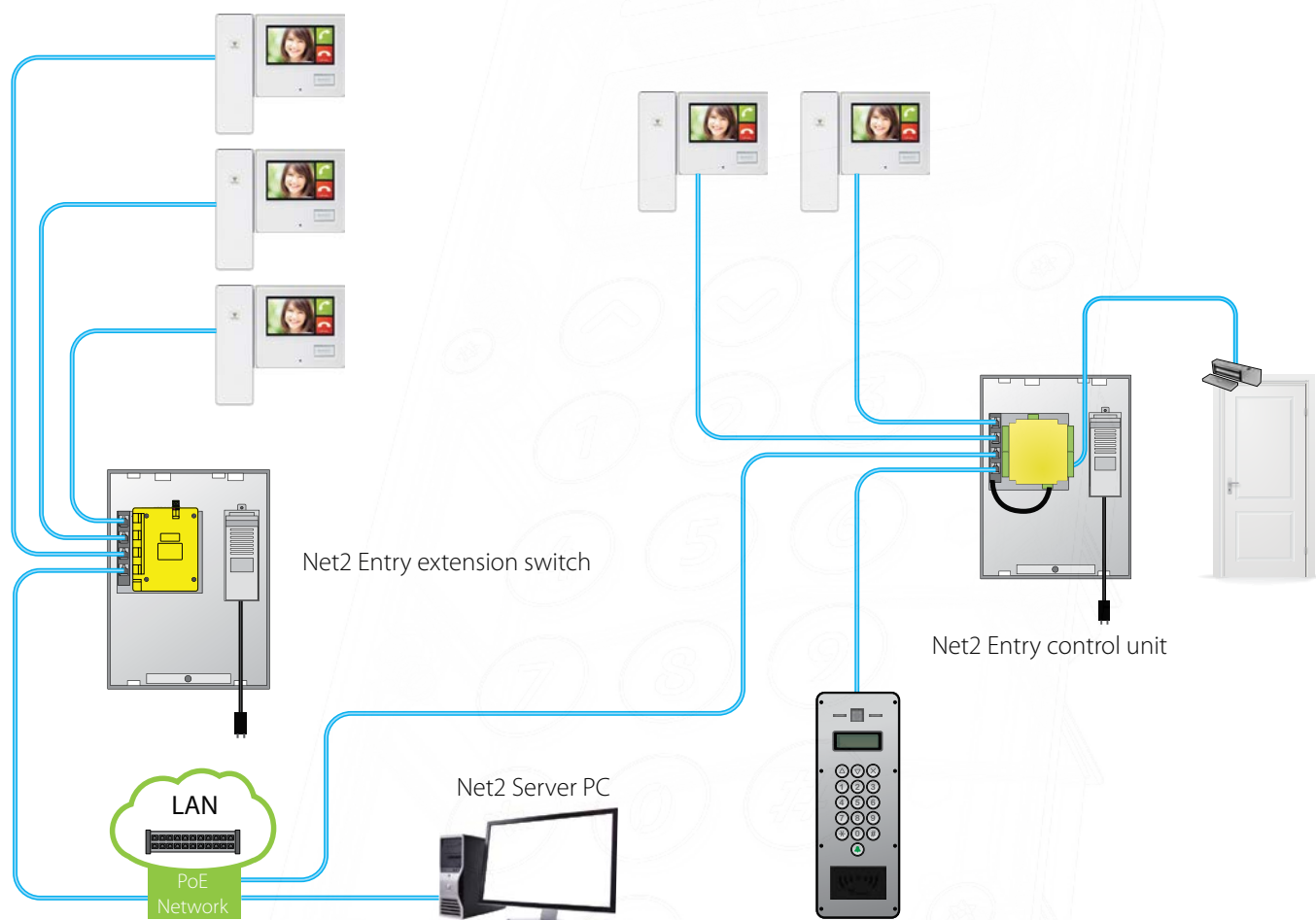
The Net2 Entry units require PoE power from a Net2 Entry control unit or a third party PoE switch. The Net2 system must be running v4.25 software or later.

All monitors plugged into the network will then communicate with the panel(s). They just require a local ID to be assigned so the correct one can be called from a panel.

This layout is by far the easiest to install but you will need to discuss the following points with the building IT manager. The network must:

1. Be compatible with IPv6 standards.
2. Support PoE network power.
3. Have the required bandwidth to handle the additional traffic.
4. Have the permission of the IT staff.

One door / Multiple monitors



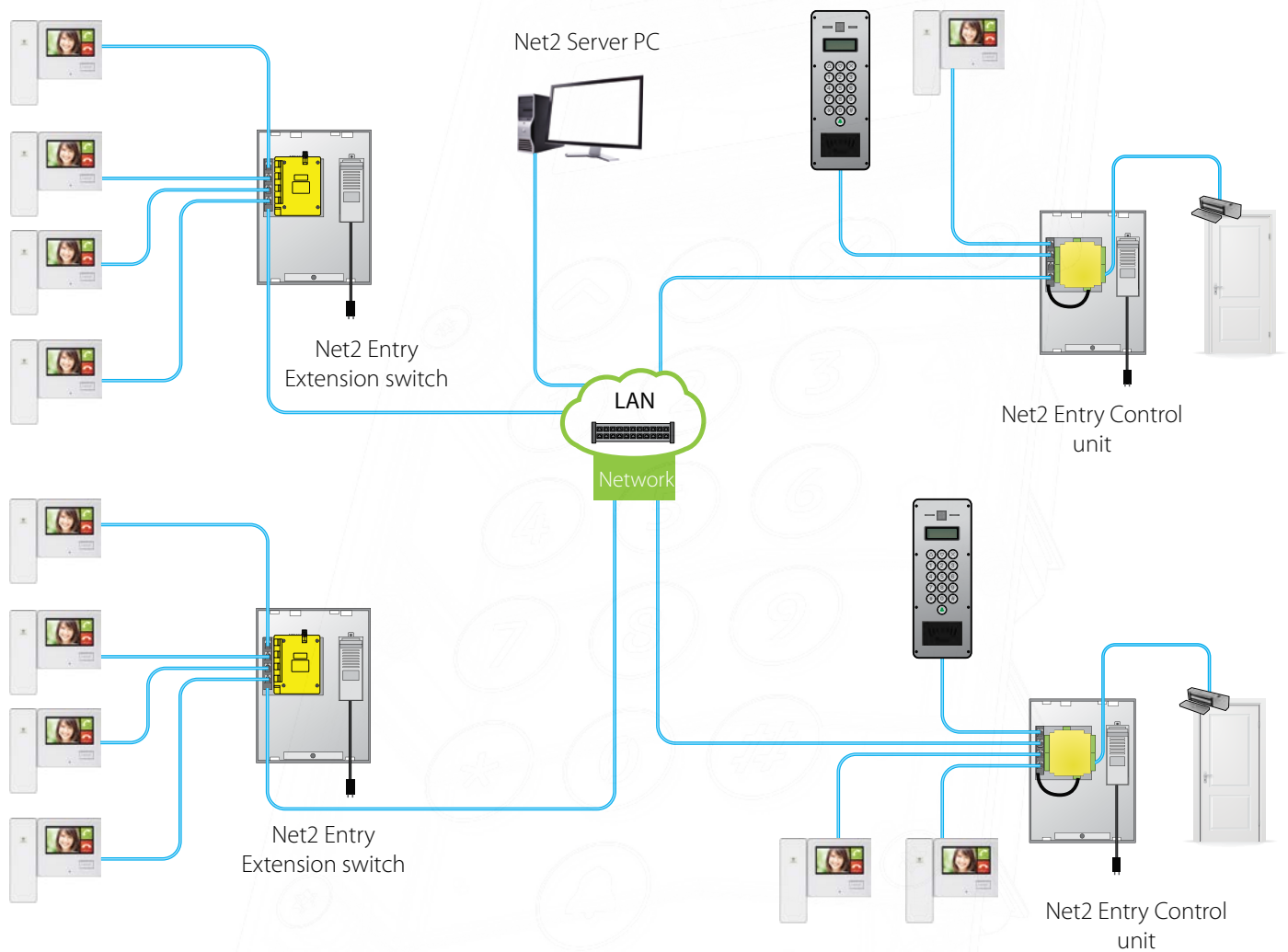
The Net2 Entry control unit has four PoE ports and one standard network port. The PoE ports can be used to power panels or monitors. All five network ports can be used for data to expand the network.

The system can be configured to call more than one monitor in a single location by giving them the same monitor ID.

The Net2 Entry extension switch has five ports that can be used to expand the network. 3rd party PoE and standard switches may also be used within the network for power and data.



Multiple Doors / Multiple Monitors



Very large systems can be configured using multiple panels and monitors.

All the monitors on a single network can be called by any panel. You should therefore ensure that the ID or Name that you give a monitor clearly states its location to help the visitor call the correct monitor.

Note: Panels and monitors will not communicate with an ACU on a RS485 data line, only networked ACUs.

Paxton